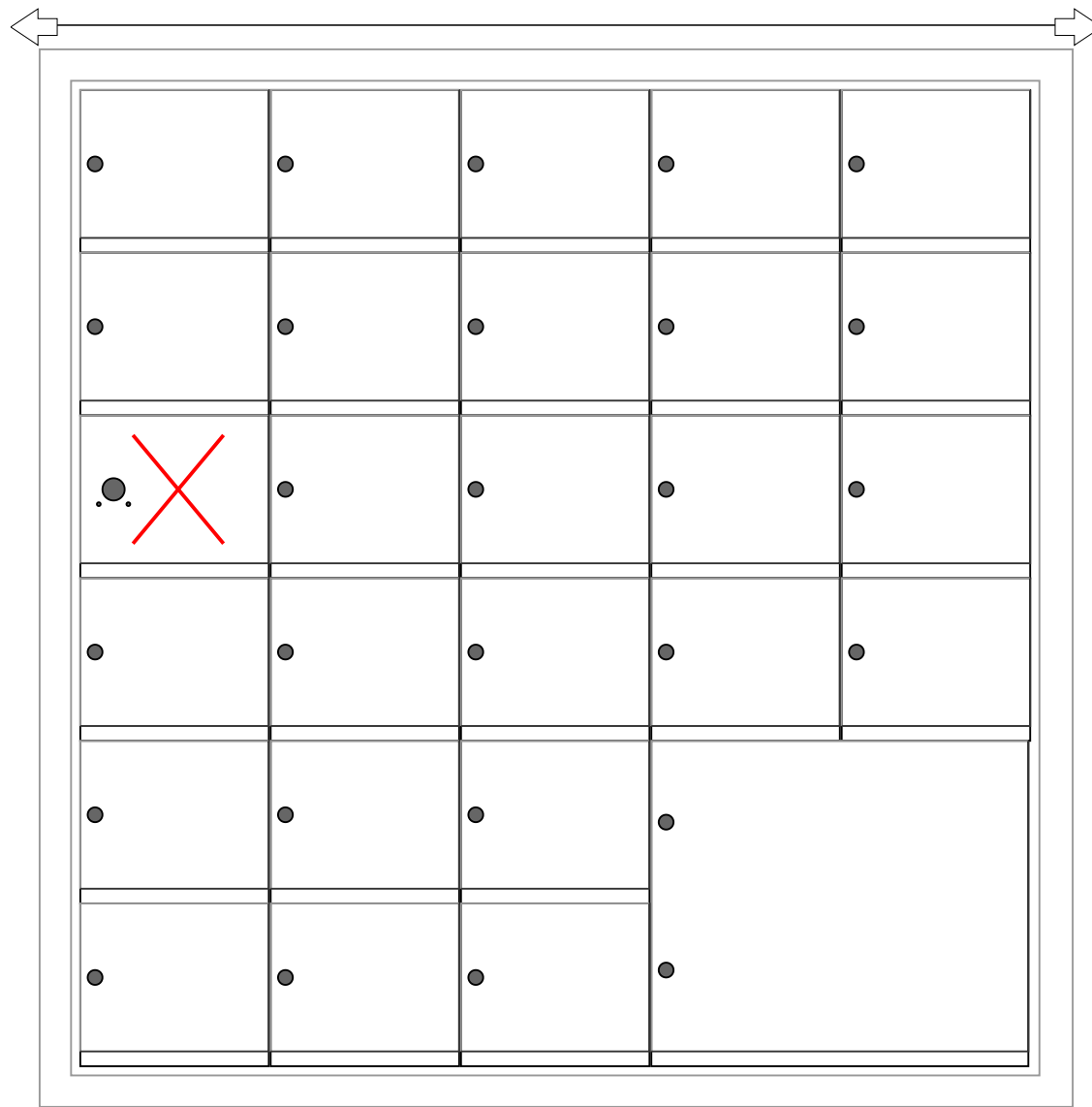


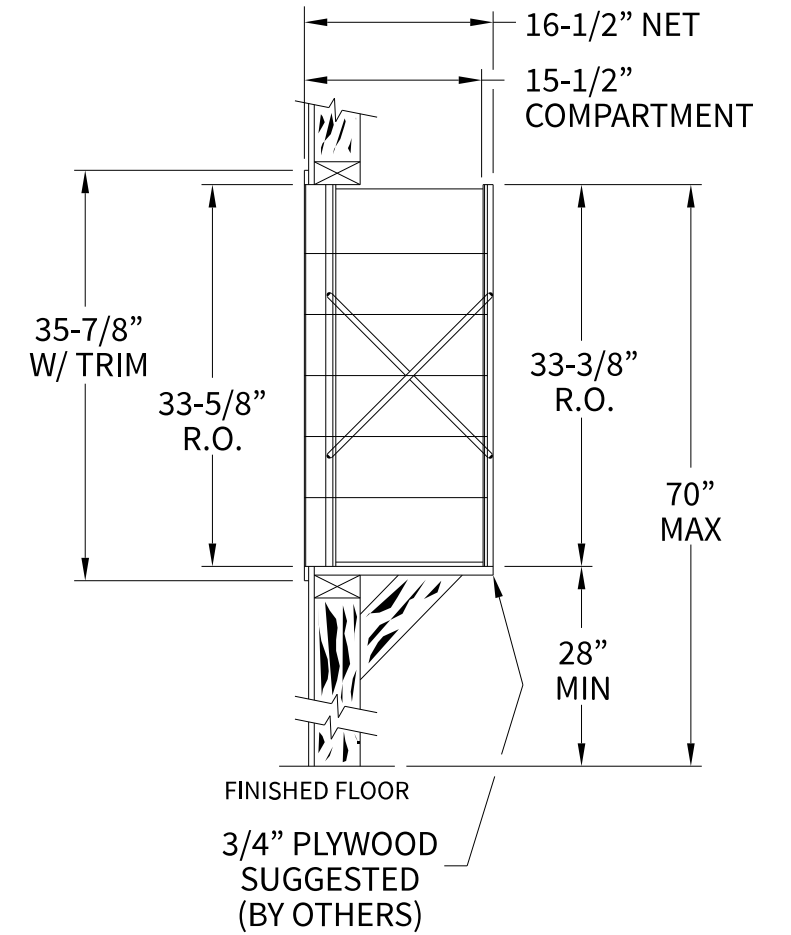
140065PL Dimensions

Overall Width w/ Trim: 36-1/8"
(Rough Opening: 33-7/8")



140065PL

Side View



Configuration Details:

- 1. **Product Type:** 1400 Horizontal
- 2. **Installation:** Front-load, Recessed Mount
- 3. **Finish:** Anodized Aluminum
- 4. **Locks:** Standard Cam Lock, 2 keys
- 5. **Door Id:** tbd
- 6. **Master Door:** tbd

Matching standard snap-on trim included

Models Used:

(1) 140065PL

DO NOT SCALE OFF DRAWING

Door Sizes Used:

- (25) 1400 1x1 Compartment
- (1) 1x1 Master
- (1) 1404 2x2 Parcel

ELEVATION: 140065PL | **MAILBOXES:** 25 | **PARCELS:** 1 |

PROJECT NAME: 1400 Series Mailbox | **DRAWN BY:** FLORENCE

AF FLORENCE
manufacturing company

5935 Corporate Drive • Manhattan, KS 66503
www.florencemailboxes.com • 800.275.1747

A GIBRALTAR INDUSTRIES COMPANY

DATE: 01-15-2016

P.O. NO:

SCALE: NONE

QUOTE NO:

DRAWING NO. WEB-1933

SHEET 1 OF 1